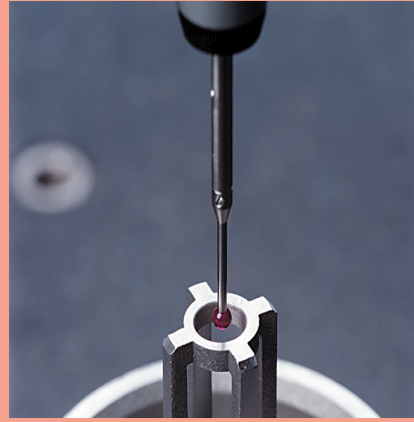
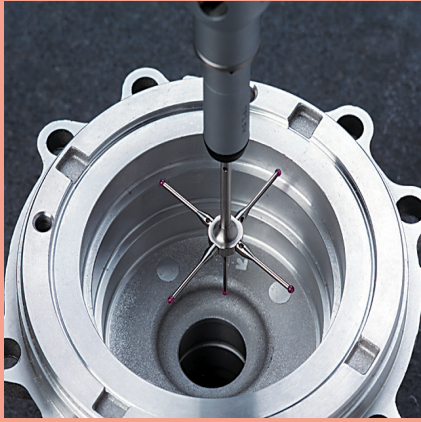
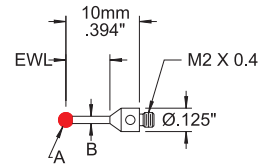


M2 Threaded Styli

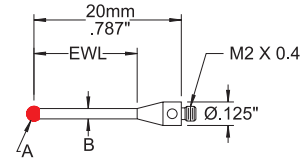


Ruby and Carbide Ball Styli - 10mm Range



Actual Size	A Ball Size	B Stem Dia.	EWL	Stem Matl.	Ball Matl.	Order Number
	0.3mm .012"	0.23mm .009"	2.0mm .079"	Tungsten Carbide	Ruby	265-.3R
					Carbide	265-.3
	0.5mm .020"	0.38mm .015"	3.0mm .118"	Tungsten Carbide	Ruby	265-.5R
					Carbide	265-.5
	0.7mm .028"	0.50mm .020"	4.0mm .157"	Tungsten Carbide	Ruby	265-.7R
					Carbide	265-.7
	1.0mm .039"	0.71mm .028"	4.5mm .177"	Stainless Steel	Ruby	265-1R
					Carbide	265-1
	1.5mm .059"	0.71mm .028"	4.5mm .177"	Stainless Steel	Ruby	265-1.5R
					Carbide	265-1.5
	2.0mm .079"	1.00mm .039"	6.0mm .236"	Stainless Steel	Ruby	265-2R
					Carbide	265-2
	2.5mm .098"	1.00mm .039"	6.0mm .236"	Stainless Steel	Ruby	265-2.5R
					Carbide	265-2.5
	3.0mm .118"	1.50mm .059"	7.5mm .295"	Stainless Steel	Ruby	265-3R
					Carbide	265-3
	4.0mm .157"	2.00mm .079"	10.0mm .394"	Stainless Steel	Ruby	265-4R
					Carbide	265-4
	5.0mm .197"	2.50mm .098"	10.0mm .394"	Stainless Steel	Ruby	265-5R
					Carbide	265-5
	6.0mm .236"	2.50mm .098"	10.0mm .394"	Stainless Steel	Ruby	265-6R
					Carbide	265-6
12mm Long 	8.0mm .315"	3.2mm .125"	12.0mm .472"	Stainless Steel	Ruby	265-8R
					Carbide	265-8

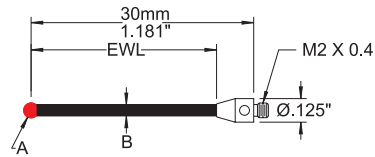
Ruby and Carbide Ball Styli - 20mm Range










Actual Size	A Ball Size	B Stem Dia.	EWL	Stem Matl.	Ball Matl.	Order Number
	0.3mm .012"	0.23mm .009"	2.0mm .079"	Tungsten Carbide	Ruby	266-.3R
					Carbide	266-.3
	0.5mm .020"	0.38mm .015"	3.0mm .118"	Tungsten Carbide	Ruby	266-.5R
					Carbide	266-.5
	0.7mm .028"	0.50mm .020"	4.0mm .157"	Tungsten Carbide	Ruby	266-.7R
					Carbide	266-.7
	1.0mm .039"	0.71mm .028"	7.0mm .276"	Stainless Steel	Ruby	266-1R
					Carbide	266-1
	1.0mm .039"	0.79mm .031"	15.0mm .591"	Tungsten Carbide	Ruby	266-1RL
					Carbide	266-1L
	1.5mm .059"	1.07mm .042"	8.0mm .315"	Stainless Steel	Ruby	266-1.5R
					Carbide	266-1.5
	1.5mm .059"	1.0mm .039"	15mm .590"	Tungsten Carbide	Ruby	266-1.5RL
					Carbide	266-1.5L
	2.0mm .079"	1.40mm .055"	14.0mm .551"	Stainless Steel	Ruby	266-2R
					Carbide	266-2
	2.5mm .098"	1.40mm .055"	14.0mm .551"	Stainless Steel	Ruby	266-2.5R
					Carbide	266-2.5
	3.0mm .118"	1.50mm .059"	17.5mm .689"	Stainless Steel	Ruby	266-3R
					Carbide	266-3
	4.0mm .157"	2.0mm .079"	20.0mm .787"	Stainless Steel	Ruby	266-4R
					Carbide	266-4
	5.0mm .197"	2.5mm .098"	20.0mm .787"	Stainless Steel	Ruby	266-5R
					Carbide	266-5
	6.0mm .236"	2.5mm .098"	20.0mm .787"	Stainless Steel	Ruby	266-6R
					Carbide	266-6
	8.0mm .315"	3mm .118"	20.0mm .787"	Stainless Steel	Ruby	266-8R
					Carbide	266-8

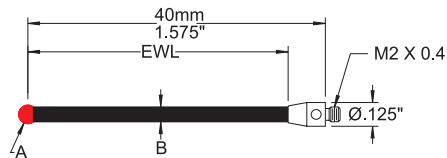
M2 Threaded Styli






Ruby Ball Styli - 30mm Range

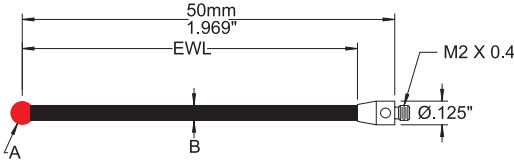





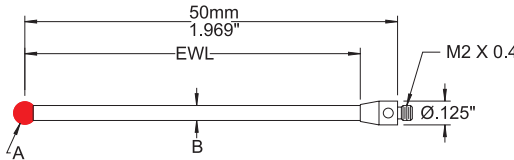
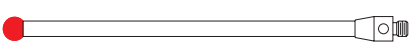

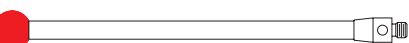
Actual Size	A Ball Size	B Stem Dia.	EWL	Stem Matl.	Order Number
	1.0mm .039"	0.79mm .031"	25mm .984"	Tungsten Carbide	801-1R
	1.5mm .059"	1.00mm .039"	25mm .984"	Tungsten Carbide	801-1.5R
	2.0mm .078"	1.50mm .059"	25mm .984"	Tungsten Carbide	801-2R
	2.5mm .098"	2.00mm .078"	25mm .984"	Tungsten Carbide	801-2.5R
	3.0mm .118"	2.00mm .078"	25mm .984"	Tungsten Carbide	801-3R
	4.0mm .157"	2.00mm .078"	30mm 1.181"	Tungsten Carbide	801-4R
	5.0mm .197"	2.36mm .093"	30mm 1.181"	Tungsten Carbide	801-5R

Ruby Ball Styli - 40mm Range

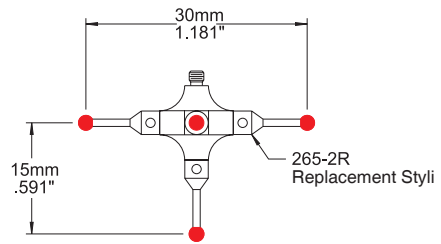
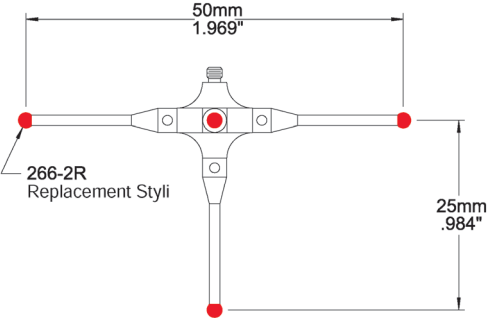
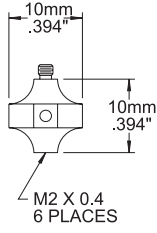


Actual Size	A Ball Size	B Stem Dia.	EWL	Stem Matl.	Order Number
	2.0mm .078"	1.50mm .059"	35mm 1.378"	Tungsten Carbide	802-2R
	2.5mm .098"	2.00mm .078"	35mm 1.378"	Tungsten Carbide	802-2.5R
	3.0mm .118"	2.00mm .078"	35mm 1.378"	Tungsten Carbide	802-3R
	4.0mm .157"	2.00mm .078"	40mm 1.575"	Tungsten Carbide	802-4R
	5.0mm .197"	2.36mm .093"	40mm 1.575"	Tungsten Carbide	802-5R

<p>Ruby Ball Styli - 50mm Range</p> 					
Actual Size	A Ball Size	B Stem Dia.	EWL	Stem Matl.	Order Number
	3.0mm .118"	2.00mm .078"	45mm 1.772"	Tungsten Carbide	803-3R
	4.0mm .157"	2.00mm .078"	50mm 1.969"	Tungsten Carbide	803-4R
	5.0mm .197"	2.36mm .093"	50mm 1.969"	Tungsten Carbide	803-5R

<p>Ruby Ball Styli - 50mm Range</p> 					
Actual Size	A Ball Size	B Stem Dia.	EWL	Stem Matl.	Order Number
	3.0mm .118"	2.36mm .093"	45mm 1.772"	Ceramic	804-3R
	4.0mm .157"	2.36mm .093"	50mm 1.969"	Ceramic	804-4R
	5.0mm .197"	2.36mm .093"	50mm 1.969"	Ceramic	804-5R

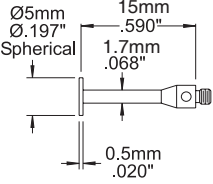
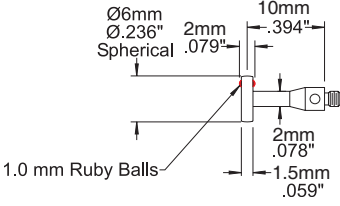
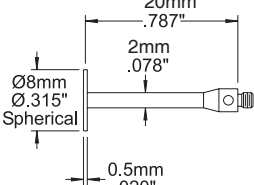
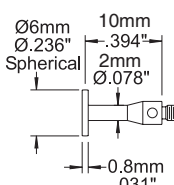
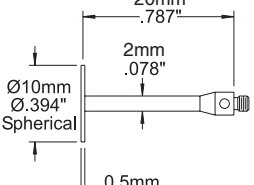
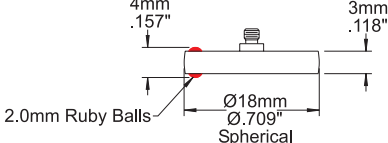
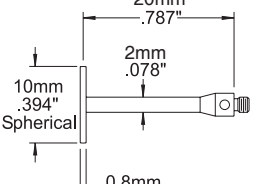
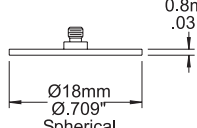
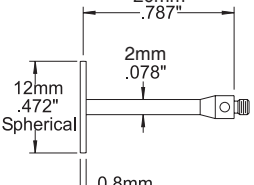
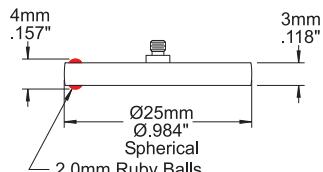
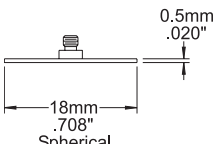
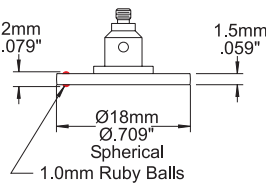
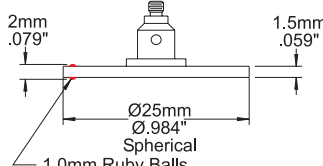
M2 Threaded Styli

Ruby Star Styli - Stationary		Ball Size	Order Number
<p>Actual Size</p>  <p>30mm 1.181"</p> <p>15mm .591"</p> <p>265-2R Replacement Styli</p>	2.0mm .079"	265-A	
 <p>50mm 1.969"</p> <p>25mm .984"</p> <p>266-2R Replacement Styli</p>	2.0mm .079"	266-A	
 <p>10mm .394"</p> <p>10mm .394"</p> <p>M2 X 0.4 6 PLACES</p> <p>5 Way Stationary Stylus Center</p>		265-0	

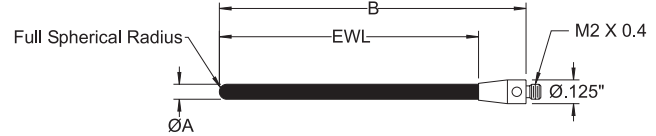
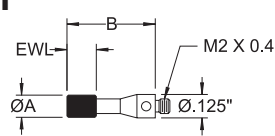
Ruby Star Styli - Adjustable		Ball Size	Order Number
		1.0mm .039"	830
		2.0mm .079"	386
		2.0mm .079"	387
	Common Center Stylus for 386 & 387 Star Styli	2.0mm .079"	385
	Adjustable 5 Way Stylus Center		278
	Adjustable 4 Way Stylus Center		819
	Center Post for 278 Stylus Center		278CP

M2 Threaded Styli

Disk Styli - Hardened Tool Steel

Actual Size	Order Number	Actual Size	Order Number
 <p>Ø5mm Ø.197" Spherical 15mm .590" 1.7mm .068" 0.5mm .020"</p>	831	 <p>Ø6mm Ø.236" Spherical 2mm .079" 10mm .394" 2mm .078" 1.5mm .059" 1.0 mm Ruby Balls</p>	270
 <p>Ø8mm Ø.315" Spherical 20mm .787" 2mm .078" 0.5mm .020"</p>	832	 <p>Ø6mm Ø.236" Spherical 10mm .394" 2mm Ø.078" 0.8mm .031"</p>	827
 <p>Ø10mm Ø.394" Spherical 20mm .787" 2mm .078" 0.5mm .020"</p>	833	 <p>4mm .157" 3mm .118" 2.0mm Ruby Balls Ø18mm Ø.709" Spherical</p>	271
 <p>10mm .394" Spherical 20mm .787" 2mm .078" 0.8mm .031"</p>	828	 <p>0.8mm .031" Ø18mm Ø.709" Spherical</p>	826
 <p>12mm .472" Spherical 20mm .787" 2mm .078" 0.8mm .031"</p>	829	 <p>4mm .157" 3mm .118" 2.0mm Ruby Balls Ø25mm Ø.984" Spherical</p>	272
 <p>0.5mm .020" 18mm .708" Spherical</p>	834	 <p>2mm .079" 1.5mm .059" Ø18mm Ø.709" Spherical 1.0mm Ruby Balls</p>	813
		 <p>2mm .079" 1.5mm .059" Ø25mm Ø.984" Spherical 1.0mm Ruby Balls</p>	814

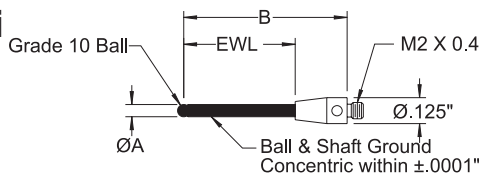
Cylinder Styli



Actual Size	A Diameter	EWL	B Length	Cylinder Matl.	Order Number
	1.5mm .059"	1.0mm .039"	10.75mm .423"	Carbide	267
	3mm .118"	3.5mm .138"	12mm .472"	Carbide	268
	0.3mm .012"	3mm .118"	10mm .394"	Carbide	708
	0.5mm .020"	8mm .315"	15mm .590"	Carbide	709
	1mm .039"	8.5mm .335"	15.5mm .610"	Ruby	815R
	1.5mm .059"	8.75mm .344"	15.75mm .620"	Ruby	816R
	2mm .079"	7.2mm .283"	21mm .827"	Ruby	382R
				Carbide	382
	4mm .157"	10mm .394"	22mm .866"	Ruby	817R
	1mm .039"	14.15mm .557"	20.5mm .807"	Steel	710-20
				Carbide	710-20C
	1.5mm .059"	14.4mm .567"	20.75mm .817"	Steel	711-20
				Carbide	711-20C
	2mm .079"	14.65mm .577"	21mm .827"	Steel	712-20
				Carbide	712-20C
	1mm .039"	34.15mm 1.345"	40.5mm 1.595"	Steel	710-40
				Carbide	710-40C
	1.5mm .059"	34.4mm 1.354"	40.75mm 1.604"	Steel	711-40
				Carbide	711-40C
	2mm .079"	34.65mm 1.364"	41mm 1.614"	Steel	712-40
				Carbide	712-40C

M2 Threaded Styli

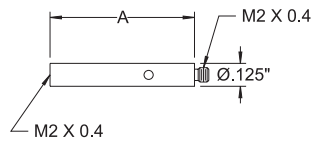
Precision Ball Cylinder Styli


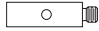











Shaft Diameter Ground within $\pm.0001$ of Ball Dia.

Actual Size	A Ball Size	B Length	EWL	Cylinder Matl.	Order Number
	1mm .039" Carbide	20.0mm .787"	13.65mm .537"	Carbide	714-20C
	1mm .039" Carbide	40.0mm 1.575"	33.65mm 1.325"	Carbide	714-40C
	1.5mm .059" Carbide	20.0mm .787"	13.65mm .537"	Carbide	715-20C
	1.5mm .059" Carbide	40.0mm 1.575"	33.65mm 1.325"	Carbide	715-40C
	2.0mm .078" Carbide	20.0mm .787"	13.65mm .537"	Carbide	716-20C
	2.0mm .078" Carbide	40.0mm 1.575"	33.65mm 1.325"	Carbide	716-40C
	2.0mm .078" Ruby	40.0mm 1.575"	30.5mm 1.201"	Ceramic	292
	2.0mm .078" Ruby	40.0mm 1.575"	30.5mm 1.201"	Ceramic	291
	2.0mm .078" Ruby	40.0mm 1.575"	30.5mm 1.201"	Ceramic	290

Stylus Extensions



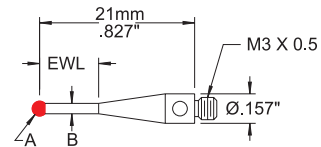
Actual Size	A Length	Material	Order Number
	5mm .196"	Stainless Steel	265-E5
	10mm .394"	Stainless Steel	265-E10
	20mm .787"	Stainless Steel	265-E20
	30mm 1.181"	Stainless Steel	265-E30
	40mm 1.575"	Stainless Steel	265-E40
	60mm 2.362"	Stainless Steel	265-E60
	90mm 3.543"	Stainless Steel	265-E90
	30mm 1.181"	Ceramic	265-EC30
	40mm 1.575"	Ceramic	265-EC40
	50mm 1.969"	Ceramic	265-EC50
	75mm 2.953"	Ceramic	265-EC75
	100mm 3.937"	Ceramic	265-EC100

M2 Threaded Styli

Pointer Styli - Tungsten Carbide Tip	
Actual Size	Order Number
<p>10mm .394" 23° SR.004 Ø.125" M2 X 0.4</p>	388
<p>15mm .591" 30° Ø.125" M2 X 0.4</p>	269

Adapters See Pages 49, 53-56, 59 for Other Style Adapters	
Actual Size	Order Number
<p>Adjustable Stylus Knuckle</p> <p>9.65mm .380" Rotate 360° 6mm .236" M2 X 0.4 M2 X 0.4</p>	277
<p>7mm .276" M2 x 0.4 Ø.157" M3 X 0.5</p>	265-AD7
<p>10mm .394" M5 X 0.8 Ø.433" M2 X 0.4</p>	6013
<p>10mm .394" M4 X 0.7 Ø.276" M2 X 0.4</p>	6014

Ruby and Carbide Ball Styli - 21mm Range

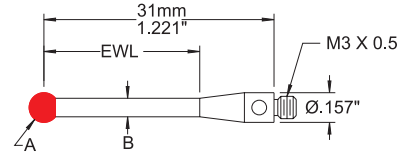



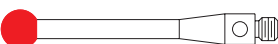
Actual Size	A Ball Size	B Stem Dia.	EWL	Stem Matl.	Ball Matl.	Order Number
	0.3mm .012"	0.23mm .009"	2.0mm .079"	Tungsten Carbide	Ruby	261-3R
					Carbide	261-3
	0.5mm .020"	0.38mm .015"	3.0mm .118"	Tungsten Carbide	Ruby	261-5R
					Carbide	261-5
	0.7mm .028"	0.50mm .020"	4.0mm .157"	Tungsten Carbide	Ruby	261-7R
					Carbide	261-7
	1.0mm .039"	0.71mm .028"	4.0mm .157"	Stainless Steel	Ruby	261-1R
					Carbide	261-1
	1.0mm .039"	0.79mm .031"	15.0mm .591"	Tungsten Carbide	Ruby	261-1RL
					Carbide	261-1L
	1.5mm .059"	1.04mm .041"	8.0mm .315"	Stainless Steel	Ruby	261-1.5R
					Carbide	261-1.5
	1.5mm .059"	1.0mm .039"	13.5mm .532"	Tungsten Carbide	Ruby	261-1.5RL
					Carbide	261-1.5L
	2.0mm .079"	1.40mm .055"	8.0mm .315"	Stainless Steel	Ruby	261-2R
					Carbide	261-2
	2.0mm .079"	1.50mm .059"	13.5mm .532"	Tungsten Carbide	Ruby	261-2RL
					Carbide	261-2L
	2.5mm .098"	2.0mm .079"	13.5mm .532"	Tungsten Carbide	Ruby	261-2.5RL
					Carbide	261-2.5L
	3.0mm .118"	1.50mm .059"	12.0mm .472"	Stainless Steel	Ruby	261-3R
					Carbide	261-3
	4.0mm .157"	2.50mm .098"	17.0mm .669"	Stainless Steel	Ruby	261-4R
					Carbide	261-4
	5.0mm .197"	2.50mm .098"	21.0mm .827"	Stainless Steel	Ruby	261-5R
					Carbide	261-5
	6.0mm .236"	2.50mm .098"	21.0mm .827"	Stainless Steel	Ruby	261-6R
					Carbide	261-6
	8.0mm .315"	4.0mm .157"	21.0mm .827"	Stainless Steel	Ruby	261-8R
					Carbide	261-8

CMM REPLACEMENT STYLI

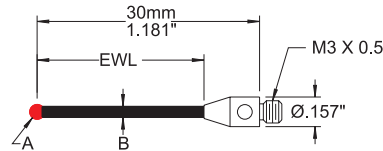
M3 Threaded Styli





Ruby and Carbide Ball Styli - 31mm Range



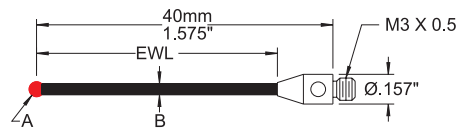
Actual Size	A Ball Size	B Stem Dia.	EWL	Stem Matl.	Ball Matl.	Order Number
	4.0mm .157"	2.50mm .098"	27.0mm 1.063"	Stainless Steel	Ruby	261-L4R
					Carbide	261-L4
	5.0mm .197"	2.50mm .098"	31.0mm 1.220"	Stainless Steel	Ruby	261-L5R
					Carbide	261-L5






Ruby Ball Styli - 30mm Range



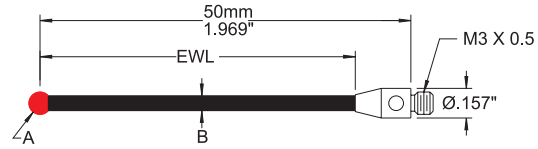
Actual Size	A Ball Size	B Stem Dia.	EWL	Stem Matl.	Order Number
	1.5mm .059"	1.00mm .039"	22.5mm .886"	Tungsten Carbide	805-1.5R
	2.0mm .078"	1.50mm .059"	22.5mm .886"	Tungsten Carbide	805-2R
	2.5mm .098"	2.00mm .078"	22.5mm .886"	Tungsten Carbide	805-2.5R
	3.0mm .118"	2.00mm .078"	22.5mm .886"	Tungsten Carbide	805-3R




Ruby Ball Styli - 40mm Range



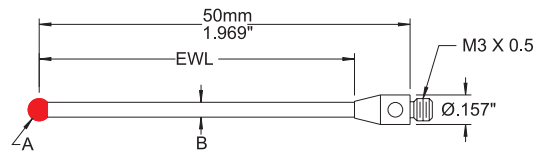
Actual Size	A Ball Size	B Stem Dia.	EWL	Stem Matl.	Order Number
	2.0mm .078"	1.50mm .059"	32.5mm 1.280"	Tungsten Carbide	806-2R
	2.5mm .098"	2.00mm .078"	32.5mm 1.280"	Tungsten Carbide	806-2.5R
	3.0mm .118"	2.00mm .078"	32.5mm 1.280"	Tungsten Carbide	806-3R
	4.0mm .157"	2.00mm .078"	32.5mm 1.280"	Tungsten Carbide	806-4R
	5.0mm .197"	2.36mm .093"	40mm 1.575"	Tungsten Carbide	806-5R

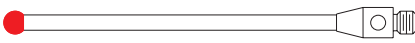
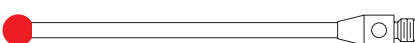

Ruby Ball Styli - 50mm Range



Actual Size	A Ball Size	B Stem Dia.	EWL	Stem Matl.	Order Number
	3.0mm .118"	2.00mm .078"	42.5mm 1.673"	Tungsten Carbide	807-3R
	4.0mm .157"	2.00mm .078"	42.5mm 1.673"	Tungsten Carbide	807-4R
	5.0mm .197"	2.36mm .093"	50mm 1.969"	Tungsten Carbide	807-5R

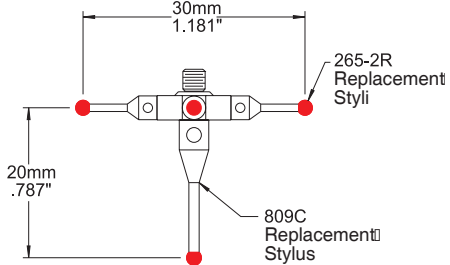
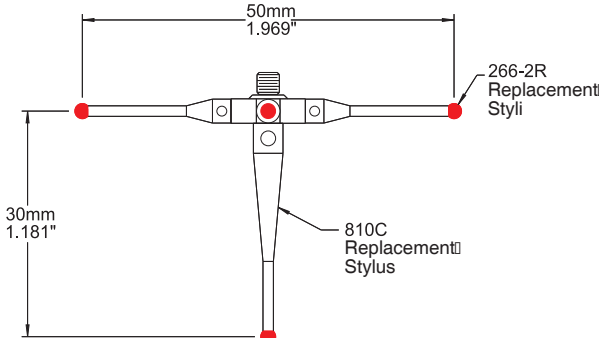
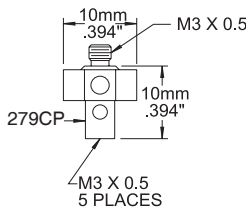
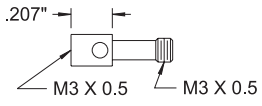
Ruby Ball Styli - 50mm Range



Actual Size	A Ball Size	B Stem Dia.	EWL	Stem Matl.	Order Number
	3.0mm .118"	2.36mm .093"	42.5mm 1.673"	Ceramic	808-3R
	4.0mm .157"	2.36mm .093"	42.5mm 1.673"	Ceramic	808-4R
	5.0mm .197"	2.36mm .093"	50mm 1.969"	Ceramic	808-5R

M3 Threaded Styli

Ruby Star Styli - Adjustable

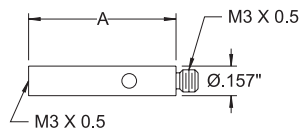
Actual Size	Ball Size	Order Number
 <p>30mm 1.181"</p> <p>20mm .787"</p> <p>265-2R Replacement Styli</p> <p>809C Replacement Stylus</p>	<p>2.0mm .079"</p>	<p>809</p>
 <p>50mm 1.969"</p> <p>30mm 1.181"</p> <p>266-2R Replacement Styli</p> <p>810C Replacement Stylus</p>	<p>2.0mm .079"</p>	<p>810</p>
 <p>10mm .394"</p> <p>M3 X 0.5</p> <p>10mm .394"</p> <p>279CP</p> <p>M3 X 0.5 5 PLACES</p> <p>5 Way Adjustable Stylus Center</p>	<p>279</p>	
 <p>.207"</p> <p>M3 X 0.5</p> <p>M3 X 0.5</p> <p>Center Post for 279 Stylus Center</p>	<p>279CP</p>	








Disk Styli - Hardened Tool Steel

Actual Size	Order Number
<p>M3 X 0.5</p> <p>31mm 1.220"</p> <p>3mm .118"</p> <p>M3 X 0.5</p> <p>Ø12.7mm Ø.500"</p> <p>Spherical</p>	273
<p>M3 X 0.5</p> <p>31mm 1.220"</p> <p>3mm .118"</p> <p>M3 X 0.5</p> <p>Ø12.7mm .500"</p> <p>Spherical</p>	283
<p>M3 X 0.5</p> <p>35mm 1.378"</p> <p>5mm .197"</p> <p>M3 X 0.5</p> <p>Ø35mm 1.378"</p> <p>Spherical</p> <p>4mm .157"</p>	284
<p>M3 X 0.5</p> <p>63.5mm 2.500"</p> <p>6mm .236"</p> <p>M3 X 0.5</p> <p>Ø63.5mm 2.500"</p> <p>Spherical</p> <p>4mm .157"</p>	285

M3 Threaded Styli

Stylus Extensions

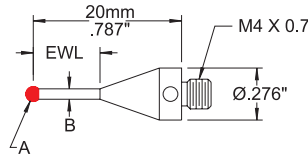


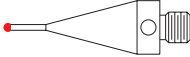
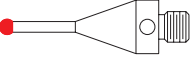
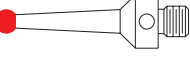
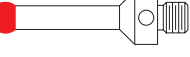



Actual Size	A Length	Material	Order Number
	10mm .394"	Stainless Steel	261-E10
	20mm .787"	Stainless Steel	261-E20
	30mm 1.181"	Stainless Steel	261-E30
	35mm 1.378"	Stainless Steel	261-E35
	50mm 1.969"	Ceramic	261-EC50
	75mm 2.953"	Ceramic	261-EC75
	100mm 3.937"	Ceramic	261-EC100

Adapters See Pages 42, 53-56, 59 for Other Style Adapters	
Actual Size	Order Number
	261-AD5
	6015
	6016
	281
	282
	276
	394

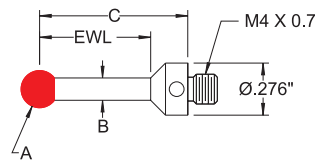
M4 Threaded Styli

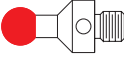
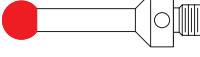
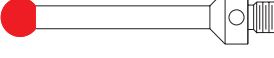
Ruby Ball Styli - 20mm Range



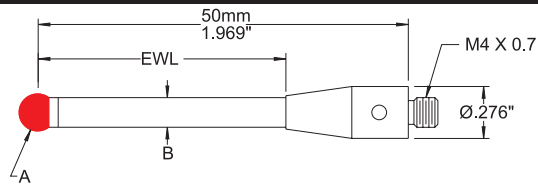
Actual Size	A Ball Size	B Stem Dia.	EWL	Stem Matl.	Order Number
	1.0mm .039"	0.76mm .030"	5mm .197"	Stainless Steel	840-1R
	2.0mm .078"	1.40mm .055"	9mm .354"	Stainless Steel	840-2R
	3.0mm .118"	1.75mm .069"	15mm .591"	Stainless Steel	840-3R
	4.0mm .157"	3.10mm .122"	15mm .591"	Stainless Steel	840-4R
	5.0mm .197"	3.60mm .142"	15mm .591"	Stainless Steel	840-5R
	6.0mm .236"	4.60mm .181"	16mm .630"	Stainless Steel	840-6R
	8.0mm .315"	6.1mm .240"	20mm .787"	Stainless Steel	840-8R

Ruby Ball Styli - Assorted Range



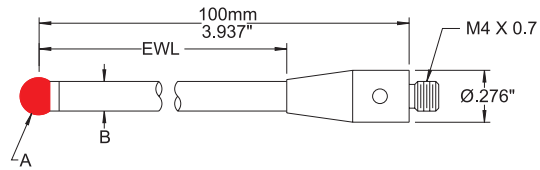
Actual Size	A Ball Size	B Stem Dia.	C Length	EWL	Stem Matl.	Order Number
	5.0mm .197"	3.00mm .118"	10mm .394"	5.0mm .197"	Stainless Steel	841-5R
	5.0mm .197"	3.00mm .118"	20mm .787"	15.0mm .591"	Stainless Steel	842-5R
	5.0mm .197"	3.00mm .118"	30mm 1.181"	25.0mm .984"	Stainless Steel	843-5R

Ruby Ball Styli - 50mm Range



Actual Size	A Ball Size	B Stem Dia.	EWL	Stem Matl.	Order Number
	5.0mm .197"	3.95mm .156"	33.5mm 1.319"	Ceramic	811-5R
	6.0mm .236"	4.75mm .187"	33.5mm 1.319"	Ceramic	811-6R
	8.0mm .315"	4.75mm .187"	50.0mm 1.969"	Ceramic	811-8R
	6.0mm .236"	4.75mm .187"	33.5mm 1.319"	Ceramic	811-L6R

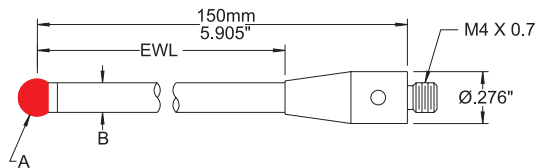
Ruby Ball Styli - 100mm Range



Actual Size	A Ball Size	B Stem Dia.	EWL	Stem Matl.	Order Number
	5.0mm .197"	3.95mm .156"	83.5mm 3.287"	Ceramic	812-5R
	6.0mm .236"	4.75mm .187"	83.5mm 3.287"	Ceramic	812-6R
	8.0mm .315"	4.75mm .187"	100.0mm 3.937"	Ceramic	812-8R
	6.0mm .236"	4.75mm .187"	83.5mm 3.287"	Ceramic	812-L6R

M4 Threaded Styli

Ruby Ball Styli - 150mm Range

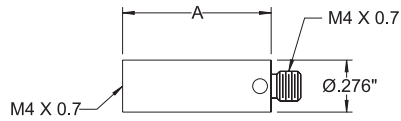










Actual Size	A Ball Size	B Stem Dia.	EWL	Stem Matl.	Order Number
	5.0mm .197"	3.95mm .156"	133.5mm 5.256"	Ceramic	820-5R
	6.0mm .236"	4.75mm .187"	133.5mm 5.256"	Ceramic	820-6R
	8.0mm .315"	4.75mm .187"	150.0mm 5.906"	Ceramic	820-8R
	6.0mm .236"	4.75mm .187"	133.5mm 5.256"	Ceramic	820-L6R

Star Stylus Centers - Adjustable

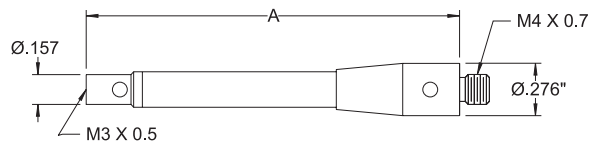
Actual Size	Order Number
<p>5 Way Adj. Stylus Center for Use w/ 811-L6R, 812-L6R, and 820-L6R Center Styli</p>	850
<p>5 Way Adjustable Stylus Center</p>	818
<p>Center Post for 818 Stylus Center</p>	818CP

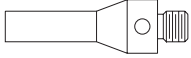

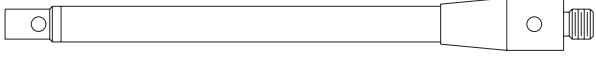

Stylus Extensions



Actual Size	A Length	Material	Order Number
	10mm .394"	Stainless Steel	823-E10
	12.7mm .500"	Stainless Steel	823-E12.7
	15mm .591"	Stainless Steel	823-E15
	20mm .787"	Stainless Steel	823-E20
	30mm 1.181"	Stainless Steel	823-E30
	30mm 1.181"	Ceramic	823-EC30
	50mm 1.968"	Ceramic	823-EC50
	100mm 3.937"	Ceramic	823-EC100

Stylus Extensions - M4 to M3

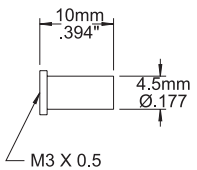
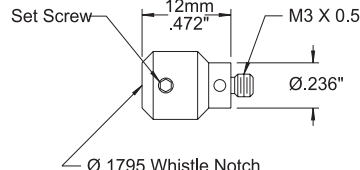
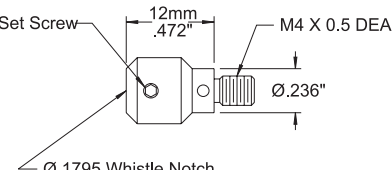
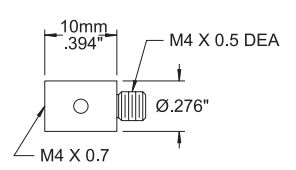
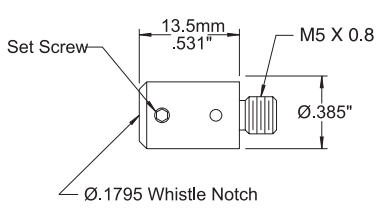
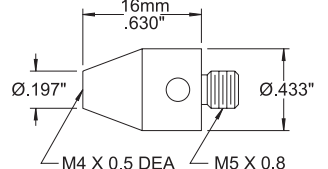


Actual Size	A Length	Stem Material	Order Number
	20mm .787"	Stainless Steel	824-E20
	50mm 1.969"	Ceramic	824-EC50
	75mm 2.953"	Ceramic	824-EC75
	100mm 3.937"	Ceramic	824-EC100

M4 Threaded Styli

Adapters		See Pages 42, 49, 56, 59 for Other Style Adapters
Actual Size		Order Number
	392	
	399	
	825-E20	
	393	
	854	
<p>Adjustable Stylus Knuckle</p>	851	
<p>Adjustable Stylus Knuckle</p>	852	

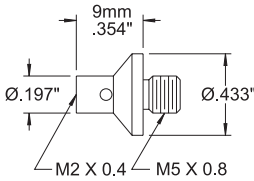
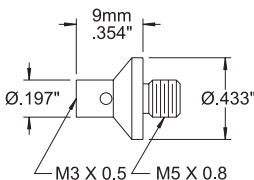
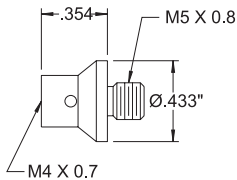
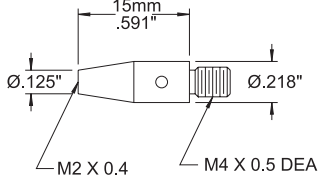
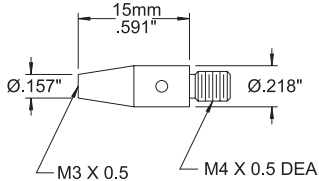
Misc. Adapters See Pages 42, 49, 56, 59 for Other Style Adapters

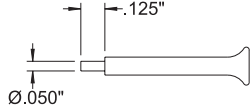
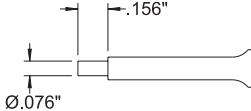
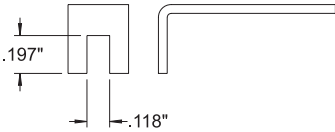
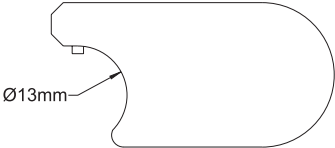
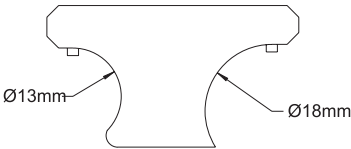
Actual Size	Order Number
 <p>10mm .394" 4.5mm Ø.177" M3 X 0.5</p>	262-AD9
 <p>Set Screw 12mm .472" M3 X 0.5 Ø.236" Ø.1795 Whistle Notch</p>	6001
 <p>Set Screw 12mm .472" M4 X 0.5 DEA Ø.236" Ø.1795 Whistle Notch</p>	6002
 <p>10mm .394" M4 X 0.5 DEA Ø.276" M4 X 0.7</p>	855
 <p>Set Screw 13.5mm .531" M5 X 0.8 Ø.385" Ø.1795 Whistle Notch</p>	6003
 <p>16mm .630" Ø.197" M4 X 0.5 DEA M5 X 0.8 Ø.433"</p>	6006

CMM REPLACEMENT STYLI

Miscellaneous Adapters

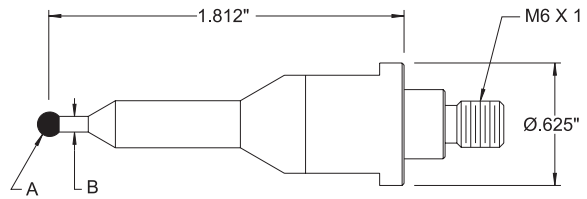
Misc. Adapters See Pages 42, 49, 54-55, 59 for Other Style Adapters

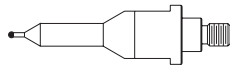
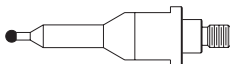
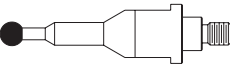
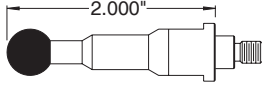
Actual Size	Order Number
	6007
	6008
	853
	6009
	6010

Actual Size	Order Number
	389
	397
	390
	CP-1486
	CP-3932

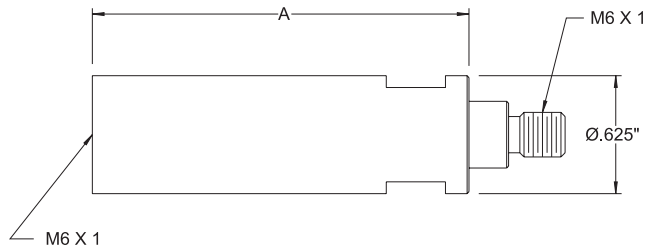
Replacement Styli for Faro





Ruby, Carbide and Delrin Ball Styli



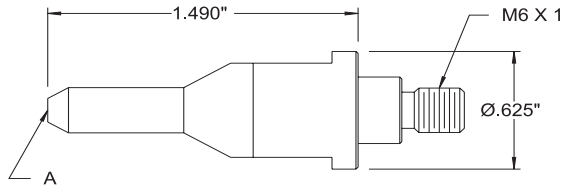
Scale 1:2	A Ball Size	B Stem Dia.	Ball Matl.	Order Number
	1.59mm .0625"	1.17mm .046"	Ruby	CPF-062R
			Carbide	CPF-062
			Delrin	CPF-O62D
	3.18mm .1250"	2.03mm .080"	Ruby	CPF-125R
			Carbide	CPF-125
			Delrin	CPF-125D
	6.45mm .2500"	3.18mm .125"	Ruby	CPF-250R
			Carbide	CPF-250
			Delrin	CPF-250D
	12.70mm .5000"	6.45mm .250"	Ruby	N/A
			Carbide	CPF-500
			Delrin	N/A

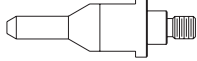
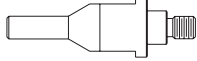
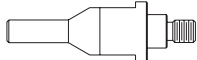
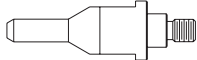
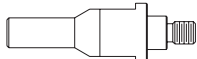
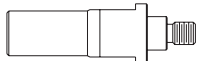

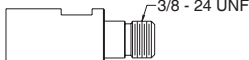
Stylus Extensions



Scale 1:2	A Length	Order Number
	50.8mm 2.000"	CPF-E2000
	76.2mm 3.000"	CPF-E3000
	101.6mm 4.000"	CPF-E4000
	152.4mm 6.000"	CPF-E6000

Adapters



Scale 1:2	A Tap Size	Order Number
	M2 X 0.4	CPF-AD2
	M2.5 X 0.45	CPF-AD2.5
	4-48 UNF	CPF-AD4-48
	M3 X 0.5	CPF-AD3
	M4 X 0.7	CPF-AD4
	M5 X 0.8	CPF-AD5
1.000" Long 	3/8 - 24 UNF	CPF-AD38
1.000" Long 	M6 X 1	CPF-AD6